

SCHIAVO
italian technology



MANIPULATORS
MANI SERIES

Schiavo MANI series manipulators allow a fast and safe glass sheets handling inside production facilities.

MANI is the ideal solution to increase productivity and safety on IG lines, straight-line edging machines and other glass processing equipment.

Schiavo produces its machines with long-lasting materials and superior quality components, improving every day to make your work easier, faster, better.

MANIPULATORS MANI SERIES



SCHIAVO

Manipulator MANI-2

- Fast and comfortable equipment to load, rotate and unload glass sheets.
- Equipped with an independent, pneumatic "Venturi" vacuum pump, with compressed air feed.
- Pneumatic rotation 90° or electric rotation 200°.
- Safety system which does not allow the operator to unload the glass sheet, unless the glass leans on a surface.
- Safety tank to guarantee the hold of the glass and acoustic alarm, to warn the operator when to lift the glass sheet.
- All commands, including the crane hoist controls (optional), on one comfortable console.
- Optional extendable arms.
- Optional crane hoist controls on the console, double speed or variable speed.



Consolle

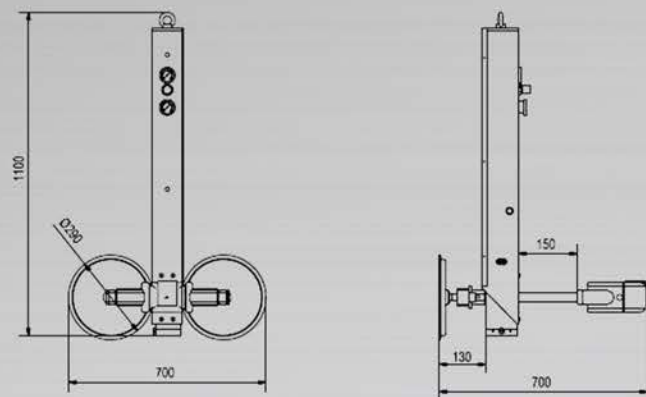
Manipulator MANI-4

MANIPULATORS MANI SERIES

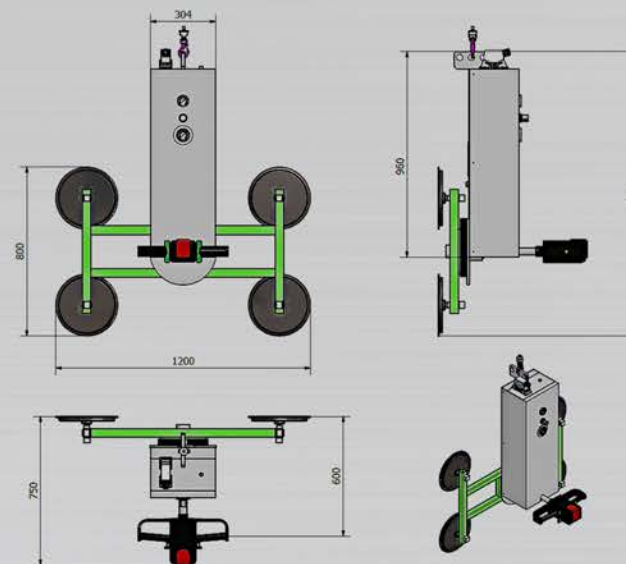


- Fast and comfortable equipment to load, rotate, tilt and unload glass sheets.
- Equipped with an independent, pneumatic "Venturi" vacuum pump, with compressed air feed.
- Electric or pneumatic rotation 90° (clockwise and counter-clockwise) and electric or pneumatic tilting 90°.
- Safety system which does not allow the operator to unload the glass sheet, unless the glass leans on a surface.
- Safety tank to guarantee the hold of the glass and acoustic alarm, to warn the operator when to lift the glass sheet.
- Quick release by an air compressed flow.
- All commands, including the crane hoist controls (optional), on one comfortable console.
- Optional extendable arms.
- Optional crane hoist controls on the console, double speed or variable speed.

MANIPULATOR MANI-2



MANIPULATOR MANI-4



Model	MANI-2F	MANI-2E	MANI-2E	MANI-4GEBE	MANI-4GPBP
Suction cups:	2	2	2	4	4
Capacity:	180 Kg	180 Kg	250 Kg	360 Kg	360 Kg
Max. glass dimensions (LxH):	2500x2000 mm	2500x2000 mm	2500x2000 mm	3300x2600 mm	3300x2600 mm
Min. glass dimensions (LxH):	800x350 mm	800x350 mm	800x350 mm	1200x800 mm	1200x800 mm
Feed:	Compressed air	Compressed air	Compressed air	Compressed air	Compressed air
Rotation:	-	200° electric	200° electric	90° electric	90° pneumatic
Tilting:	-	-	-	90° electric	90° pneumatic
Air pressure:	6-7 bar	6-7 bar	6-7 bar	6-7 bar	6-7 bar
Voltage:	24 V - 50 Hz	220 V - 50 Hz	220 V - 50 Hz	220 V - 50 Hz	24 V - 50 Hz
Weight:	50 Kg	60 Kg	60 Kg	80 Kg	80 Kg
Overall dimensions (LxWxH):	700x700x1100mm	700x700x1100mm	700x700x1100mm	1200x750x1350 mm	1200x750x1350 mm